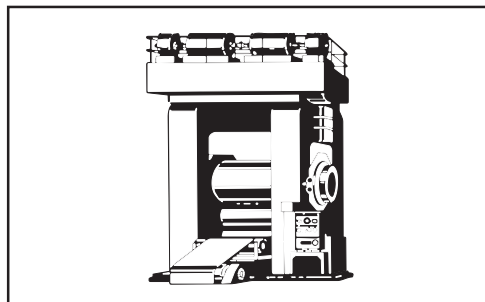
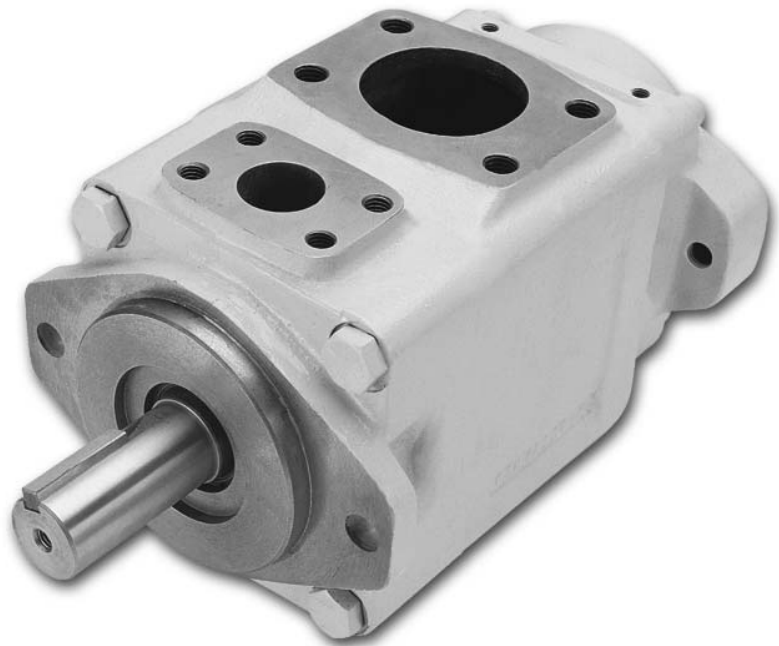
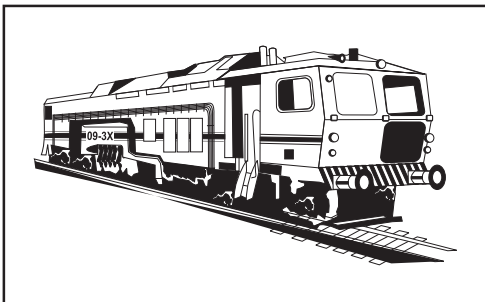
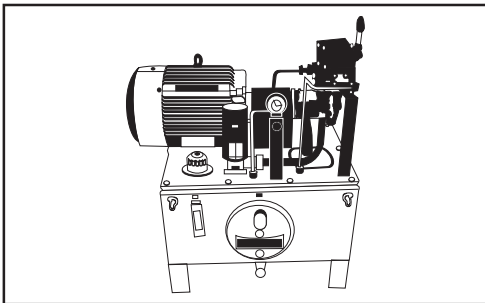
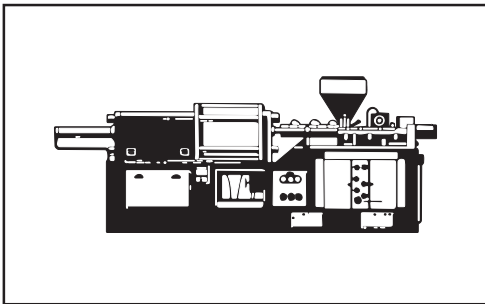


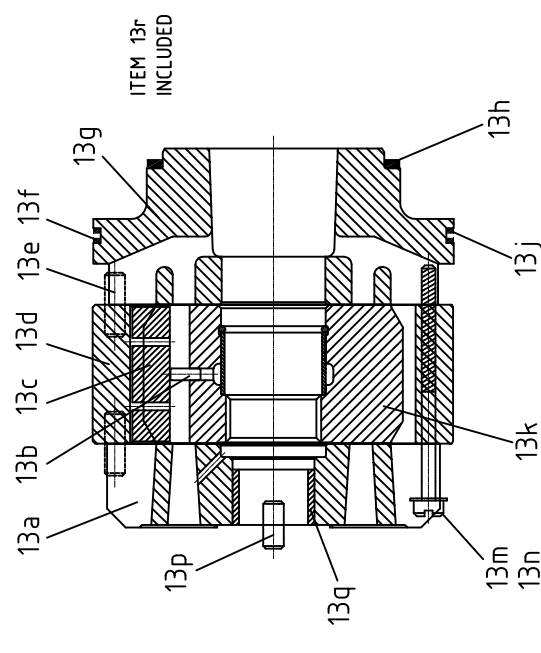
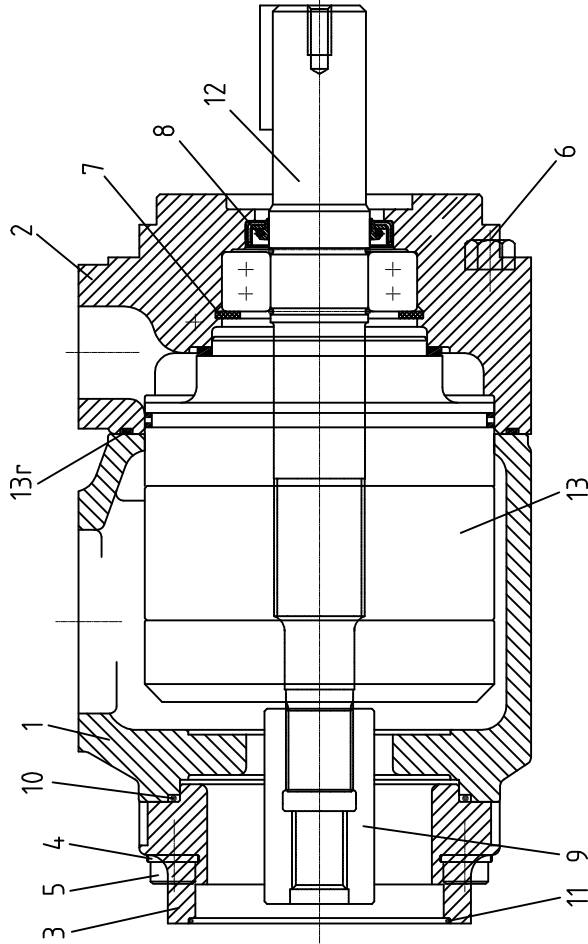


VT6ER - VT6ERM

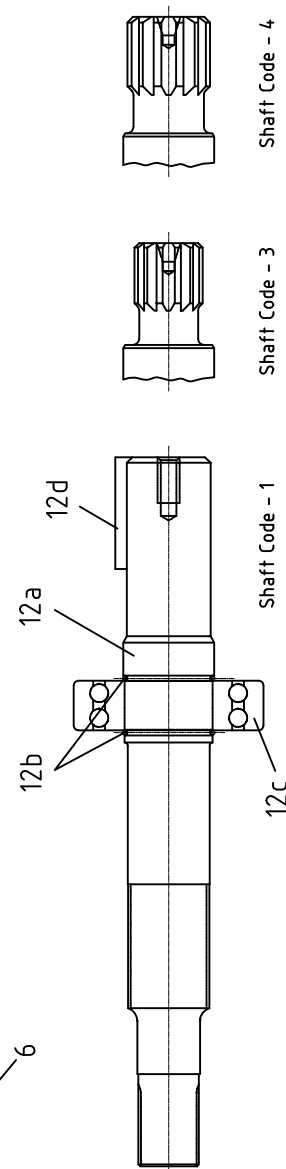
Drive train single vane pump



Bold printed are recommended repair kits and assemblies



ITEM 13r INCLUDED



Item pos.	Description	Part No.		Qty
		VT6ER	VT6ERM-B**	
1	Housing (UNC)	H-034-66553	H-034-66553	1
	Housing (Metric)	C-034-03062	C-034-03062	
2	Mounting flange (UNC)	V034-66567	V034-66567	1
	Mounting flange (Metric)	C-034-03063	C-034-03063	
3	Mounting adapter (SAE A)	H-034-66531	H-034-66531	1
	Mounting adapter (SAE B)	V034-66533	V034-66533	
	Mounting adapter (SAE C)	V034-66535	V034-66535	
4	Washer	V034-66412	V034-66412	4
5	Mounting Screw for SAE A adapter	V361-12254-8	V361-12254-8	4
	Mounting Screw for SAE B adapter	V361-12264-3	V361-12264-3	
	Mounting Screw for SAE C adapter	V361-12284-3	V361-12284-3	
6	Mounting Screw	V306-40216	V306-40216	4
7	Retaining ring	V356-30315	V356-30315	1
8	Shaft seal (S1-0.7 bar)	V620-82064	V620-82064	1
	Shaft seal (S4-S5-7 bar)	V620-82072	V620-82072	

9	Coupling (SAE A) (9 teeth) for adapter SAE A	H-034-66539	H-034-66539	1
	Coupling (SAE B) for adapter SAE A	H-034-66651	H-034-66651	
	Coupling (SAE C) (11 teeth) for adapter SAE A	H-034-66654	H-034-66654	
	Coupling (SAE B) for adapter SAE B	V034-66542	V034-66542	
	Coupling (SAE B-B) for adapter SAE B	V034-66545	V034-66545	
	Coupling (SAE C) for adapter SAE C	V034-66548	V034-66548	
10	'O' ring	V671-00246	V671-00246	1
11	Sq. section seal for adapter SAE A	V671-10152	V671-10152	1
	Sq. section seal for adapter SAE B	V671-10155	V671-10155	
	Sq. section seal for adapter SAE C	V671-10159	V671-10159	

Mounting torque			
Item pos.	5	6	
N-m	72	187	
ft-lbs	53	138	

Item pos.	Description	Part No.		Qty
		VT6ER	VT6ERM-B**	
12	Shaft and bearing assy (Keyed) (Code-1)	VS24-26339	VS24-26339	1
	Shaft and bearing assy (Splined) (Code-3)	VS24-49361	VS24-26350	
	Shaft and bearing assy (Splined) (Code-4)	VS24-26340	VS24-26340	
12a	Shaft (Keyed) (Code-1)	V034-66564	V034-66564	1
	Shaft (Splined) (Code-3)	V034-66772	V034-66772	
	Shaft (Splined) (Code-4)	V034-66565	V034-66565	
12b	Round section ring	V034-70866	V034-70866	2
12c	Ball bearing	V230-90018-3	V230-90018-3	1
12d	Key (Code 1)	V034-70330	V034-70330	1
13	Cartridge assembly *42 C.C.W.	VS24-49388	VS24-49392	1
	Cartridge assembly *42 C.C.W.	VS24-49389	VS24-49393	
	Cartridge assembly *45 C.C.W.	VS24-10177	VS24-40014	
	Cartridge assembly *45 C.C.W.	VS24-10178	VS24-40015	
	Cartridge assembly *50 C.C.W.	VS24-40645	VS24-40767	
	Cartridge assembly *50 C.C.W.	VS24-40766	VS24-40768	
	Cartridge assembly *52 C.C.W.	VS24-10179	VS24-40016	
	Cartridge assembly *52 C.C.W.	VS24-10180	VS24-40017	
	Cartridge assembly *57 C.C.W.	C-S14-72157	C-S14-72348	
	Cartridge assembly *57 C.C.W.	C-S14-72158	C-S14-72349	
	Cartridge assembly *62 C.C.W.	VS24-10181	VS24-40018	
	Cartridge assembly *62 C.C.W.	VS24-10182	VS24-40019	
	Cartridge assembly *66 C.C.W.	VS24-10183	VS24-40020	
	Cartridge assembly *66 C.C.W.	VS24-10184	VS24-40021	
	Cartridge assembly *72 C.C.W.	VS24-40026	VS24-40022	
	Cartridge assembly *72 C.C.W.	VS24-40027	VS24-40023	
	Cartridge assembly *85 C.C.W.	VS24-58988	C-S14-71569	
	Cartridge assembly *85 C.C.W.	VS24-58989	C-S14-71571	
13a	Port plate - rear C.W.	V034-59082	V034-59082	1
	Port plate - rear C.C.W.	V034-59083	V034-59083	
13b	Pin vane holdout	V034-59161	V034-70259	12
13c	Vane	V034-59162	V034-59162	12
13d	Cam ring - 042	V034-66899	V034-66899	1
	Cam ring - 045	V034-59164	V034-59164	
	Cam ring - 050	V034-66744	V034-66744	
	Cam ring - 052	V034-59165	V034-59165	
	Cam ring - 057	C-034-03202	C-034-03202	
	Cam ring - 062	V034-59166	V034-59166	
	Cam ring - 066	V034-59167	V034-59167	

Item pos.	Description	Part No.		Qty
		VT6ER	VT6ERM-B**	
	Cam ring - 072	V034-66736	V034-66736	
	Cam ring - 085	V034-67030	V034-67030	
13e	Dowel pin	V324-22016	V324-22016	2
13f	Back-up ring	V618-15018	V618-15018	1
13g	Port plate - pressure C.W.	V034-59159	V034-59159	1
	Port plate - pressure C.C.W.	V034-59160	V034-59160	
13h	Sq. section seal	V691-10237	V691-10237	1
13j	Sq. section seal	V691-10253	V691-10253	1
13k	Rotor-insert ass'y	VS24-10185	VS24-30019	1
13m	Screw	V310-10340	V310-10340	2
13n	Lockwasher internal tooth	V348-10010	V348-10010	2
13p	Dowel pin	V323-82014	V323-82014	1
13q	Bush	V034-59901	V034-59901	1
13r	Sq. section seal	V671-10259	V671-10259	1
8,10	Seal kit (S1 - 0.7 bar)	VS24-26381	VS24-26381	1
11,13h	Seal kit (S4 - 7 bar)	VS24-26381-4	VS24-26381-4	
13j,13f	Seal kit (S5 - 7 bar)	VS24-26381-5	VS24-26381-5	
13r				
13a	Port plate - rear and bush ass'y C.W.	VS24-10175	VS24-10175	1
13q	Port plate - rear and bush ass'y C.C.W.	VS24-10176	VS24-10176	
3,4	Mounting adapter assy (SAE A)	VS24-26336	VS24-26336	1
5,10	Mounting adapter assy (SAE B)	VS24-26337	VS24-26337	
	Mounting adapter assy (SAE C)	VS24-26338	VS24-26338	
	* 0 - Standard and Mobile R - Mobile-Spring assisted (on request)			

MODEL CODE

Series _____

M = Mobile (omit for Industrial)

Y = Metric port connection, omit for UNC

Cam ring — Displacement — Cam ring — Displacement

	in ³ /rev	(cm ³ /rev)		in ³ /rev	(cm ³ /rev)
04.2/R42	= 8.07	(132.30)	057/R57	= 11.02	(180.70)
04.5/R45	= 8.70	(142.40)	062/R62	= 12.00	(196.70)
050/R50	= 9.67	(158.50)	066/R66	= 13.00	(213.30)
052/R52	= 10.00	(164.80)	072/R72	= 13.86	(227.10)
085/R85	= 16.40	(269.80)			

Select '0**' for Standard and Mobile

Select 'R**' for Mobile-spring assisted

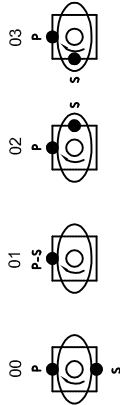
Type of Shaft _____

- VT6ER/VT6ERM
- 1 = Keyed (SAE C)
 - 3 = Splined (SAE C)
 - 4 = Splined (SAE CC)

Direction of rotation _____

- R = Clockwise
- L = Counter - clockwise

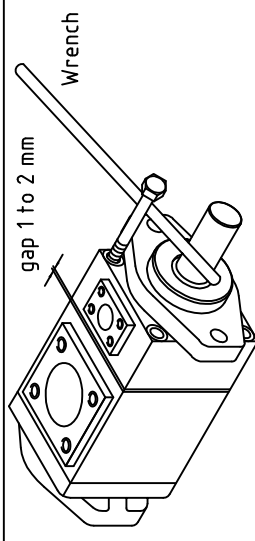
Porting combination : (00 = Standard)



To change porting position, follow the steps below:

- Secure pump and remove 4 bolts from mounting flange. Move the mounting flange 1 to 2 mm away from housing. Insert one bolt halfway to mounting flange. Install a wrench between the shaft and turn in the desired way, so that the required position of P1 port with respect to Suction is obtained. Reinstall the bolts and tighten to corresponding torque.

Instruction : Do not remove mounting flange completely from the housing but only just 1 to 2 mm to avoid the cartridge pin to move out from the housing dowel pin hole. Make sure no piece of paint enters into the gap to avoid leakage. If it is difficult to turn mounting flange put some hydraulic oil to the pressure port to lubricate the pressure port seals.



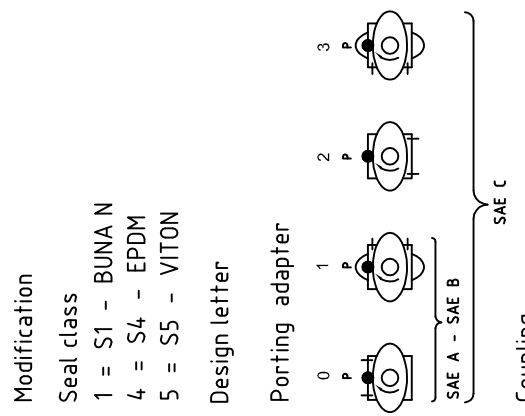
Veljan Hydrair Limited, Balanagar, Hyderabad - 500 037, INDIA. Phone : ++91 40 23772794,95 FAX : ++91 40 23773963, E-mail : info@veljan.com

Print	_____
Replace	_____
Revision	_____

Printed in India

Rights of alteration reserved

VT6ER * * - *66 - 1 R 00 - C 4 0 - A 1 *



- Modification
- Seal class
- 1 = S1 - BUNA N
 - 4 = S4 - EPDM
 - 5 = S5 - VITON
- Design letter
- Porting adapter
- 0 P
 - 1 P
 - 2 P
 - 3 P
- SAE A - SAE B
- SAE C
- Coupling
- 1 = SAE A
 - 2 = SAE B
 - 3 = SAE B - B
 - 4 = SAE C
 - 5 = SAE J4.98b 16/32-11 teeth
- Adapter
- 0 = None
 - A = SAE A
 - B = SAE B
 - C = SAE C