

# FS-1 series

Suction strainers



## Technical Information

**Connection Ports:** 3/8" to 4" BSP (other thread options on request)

**Materials:** Head: nylon  
Endcap: zinc plated carbon steel  
By-pass: NBR

**By-pass:** On request only - 0,25 bar (3,6 psi) setting (not available for FS-1-90, FS-1-91)

**Filter media:**  
Wire mesh 125  $\mu\text{m}$  (60 and 250  $\mu\text{m}$  on request)

**Differential collapse pressure:** 1 bar (14,5 psi) (acc. to ISO 2941)

**Working temperature:**  
-25°C +100°C (-13°F +212°F)

**Fluid compatibility** (acc. to ISO 2943):  
Full with HH-HL-HM-HV (acc. to ISO 6743/4).  
For use with other fluids please contact Filtrec Customer Service ([info@filtrec.it](mailto:info@filtrec.it)).

## Ordering information

	NOMINAL SIZE	CONNECTION SIZE	MEDIA	BY-PASS
<b>FS-1</b>	<b>30</b>	<b>B6</b>	<b>T125</b>	<b>B</b>

	CONNECTION SIZE
B2	3/8" BSP
B3	1/2" BSP
B4	3/4" BSP
B5	1" BSP
B6	1 1/4" BSP
B7	1 1/2" BSP
B8	2" BSP
B9	2 1/2" BSP
B10	3" BSP
B11	3 1/2" BSP
B12	4" BSP

*NPT option available on request please check availability with Filtrac Customer Service.*

	MEDIA
*T60	wire mesh
T125	wire mesh
*T250	wire mesh

*\* Not standard version, please check availability with Filtrac Customer Service.*

	BY-PASS
0	no by-pass
*B	0,25 bar / 3,6 psi

*\* Not standard version, please check availability with Filtrac Customer Service.*

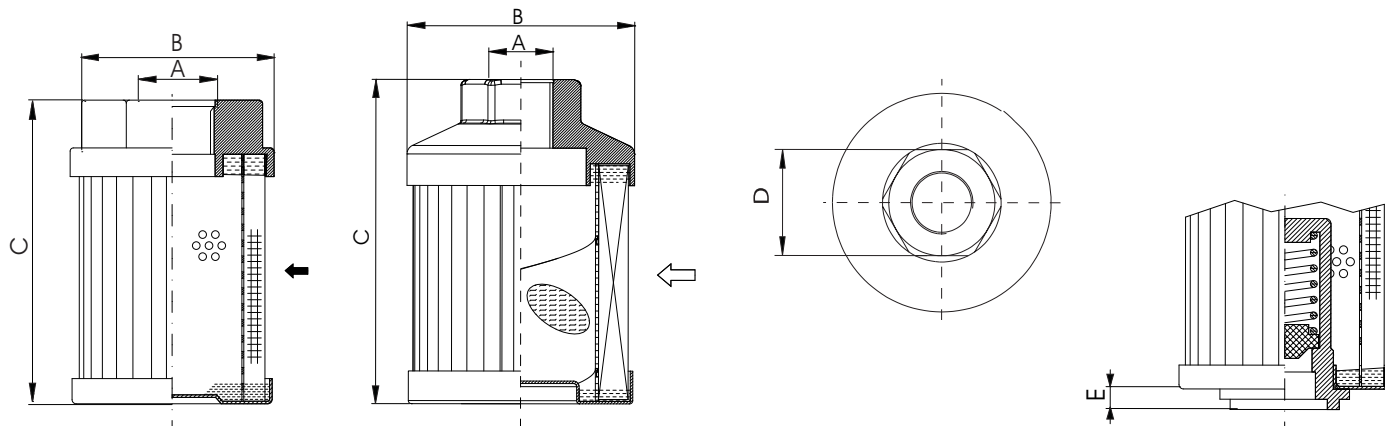
*Not available for FS-1-90, FS-1-91*

# Overall dimensions

FS-1-10 - ... - 43 & 90/91

FS-1-50 - ... - 89

BY-PASS OPTION



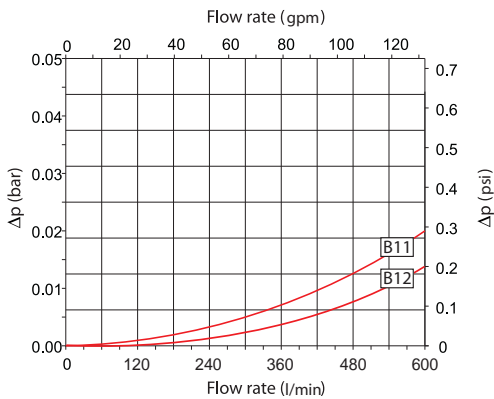
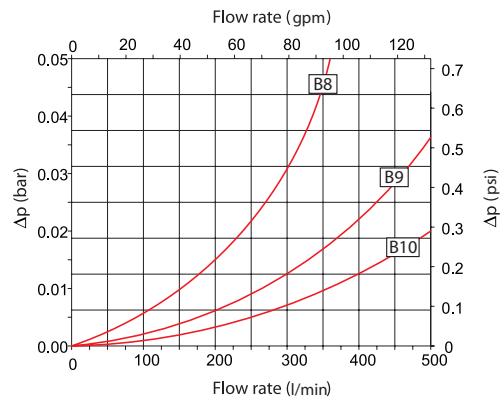
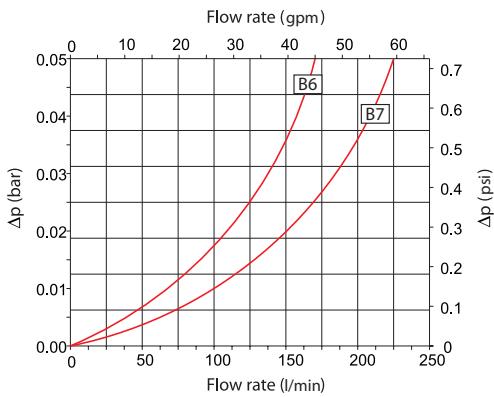
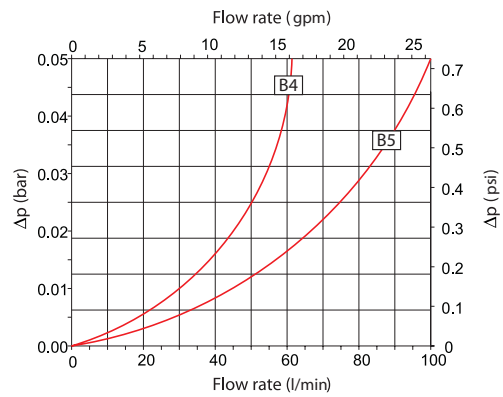
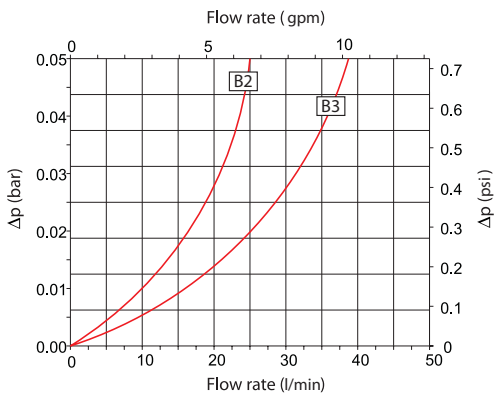
## Nominal size

CODE	A	B	C	D	E	
FS-1-10	3/8" - 1/2"	46	91	36	3	
FS-1-11	3/8" - 1/2"		106			
FS-1-20	3/4" - 1"	64	109	50	6	
FS-1-21	3/4" - 1"		139			
FS-1-30	1" - 1 1/4" - 1 1/2" - 2"	86	200	65		
FS-1-33	1" - 1 1/4" - 1 1/2" - 2"		260			
FS-1-34	1" - 1 1/4" - 1 1/2" - 2"		151			
FS-1-40	1 1/2" - 2" - 2 1/2" - 3"	150	212	110	9	
FS-1-42	1 1/2" - 2" - 2 1/2" - 3"		272			
FS-1-43	1 1/2" - 2" - 2 1/2" - 3"					
FS-1-50	3/8" - 1/2"	54	83	27	6	
FS-1-60	1/2" - 3/4"	73	104	34		
	1" - 1 1/4"			50		
FS-1-62	1/2" - 3/4"		148	148		34
	1" - 1 1/4"				50	
FS-1-70	1" - 1 1/4" - 1 1/2"	102	155	60	9	
	2"			70		
FS-1-73	1" - 1 1/4" - 1 1/2"		195	195		60
	2"					70
FS-1-76	1" - 1 1/4" - 1 1/2"	228	228	60		
	2"			70		
FS-1-79	1" - 1 1/4" - 1 1/2"	110	110	60		
	2"			70		
FS-1-80	1 1/2" - 2" - 2 1/2" - 3"	131	202	98		
FS-1-81	1 1/2" - 2" - 2 1/2" - 3"		162			
FS-1-83	1 1/2" - 2" - 2 1/2" - 3"		235			
FS-1-86	1 1/2" - 2" - 2 1/2" - 3"		279			
FS-1-89	1 1/2" - 2" - 2 1/2" - 3"		110			
FS-1-90	3 1/2"		178		390	140
FS-1-91	4"	440				

Not standard version, please verify minimum order quantity with Filtrac Customer Service

## Pressure Drop diagrams

The pressure drop of these strainers is mainly related to the connection size, indicated in the box. **The maximum recommended pressure drop is 0,1 bar (1,45 psi).**



The above pressure drop diagrams have been obtained at the FILTREC laboratory, according to the ISO 3968 specification, with mineral oil having 30 cSt viscosity and 0,86 Kg/dm<sup>3</sup> density.

When using oil with different viscosity the values can be calculated. ( $\Delta p \times \text{new viscosity}/30$ )