

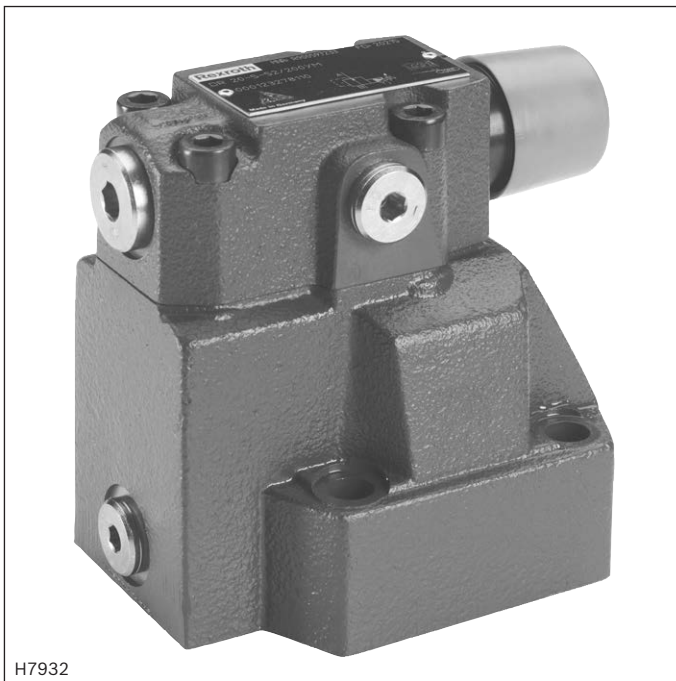
Pressure reducing valve,
pilot-operated

Type DR

RE 26892

Edition: 2019-01

Replaces: 05.11



H7932

- ▶ Size 10 ... 32
- ▶ Component series 5X
- ▶ Maximum operating pressure 350 bar
- ▶ Maximum flow 400 l/min

Features

- ▶ For subplate mounting
- ▶ Porting pattern according to ISO 5781
- ▶ For threaded connection
- ▶ As cartridge valve
- ▶ 4 adjustment types, optionally:
 - Rotary knob
 - Sleeve with hexagon and protective cap
 - Lockable rotary knob with scale
 - Rotary knob with scale
- ▶ 5 pressure ratings
- ▶ Check valve, optional (only subplate mounting)
- ▶ Corrosion-protected design

Contents

Features	1
Ordering code	2
Symbols	3
Function, section	3
Technical data	4, 5
Characteristic curves	6 ... 8
Dimensions	9 ... 12
Installation bore	13
Accessories	14
Further information	14

Ordering code

01	02	03	04	05	06	07	08	09	10	11	12
DR				-	5X	/	Y				*

01	Pressure reducing valve, pilot-operated	DR		
02	Valve complete (subplate mounting or threaded connection)	no code		
	Pilot control valve without main spool insert (cartridge valve; do not enter any size)	C		
	Pilot control valve with main spool insert (cartridge valve)	C30		
03		Subplate mounting "-"	Threaded connection "G"	
	Size 10	✓	✓ (G1/2)	10
	Size 16	-	✓ (G3/4)	15¹⁾
	Size 25	✓	✓ (G1)	20
	Size 25	-	✓ (G1 1/4)	25¹⁾
	Size 32	✓	✓ (G1 1/2)	30
04	As cartridge valve (version "C", without main spool insert)	no code		
	As cartridge valve (version "C30", with main spool insert)	-		
	For subplate mounting	-		
	For threaded connection	G		

Adjustment type

05	Rotary knob	4
	Sleeve with hexagon and protective cap ("J3" version without protective cap; always with maximum pressure adjustment)	5
	Lockable rotary knob with scale	6²⁾
	Rotary knob with scale	7
06	Component series 50 ... 59 (50 ... 59: unchanged installation and connection dimensions)	5X

Set pressure

07	Up to 50 bar	50
	Up to 100 bar	100
	Up to 200 bar	200
	Up to 315 bar	315
	Up to 350 bar (only version "M")	350

Pilot oil supply

08	Internal pilot oil supply, external pilot oil return	Y
09	With check valve (for subplate mounting only)	no code¹⁾
	Without check valve	M


Corrosion resistance

10	None	no code
	Improved corrosion protection (240 h salt spray test according to EN ISO 9227); (only version "5")	J3

Seal material (observe compatibility of seals with hydraulic fluid used, see page 5)

11	NBR seals	no code
	FKM seals	V
12	Further details in the plain text	

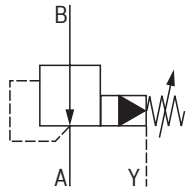
1) Not for version "J3"

2) H-key with material no. **R900008158** is included in the scope of delivery. **Notes:**

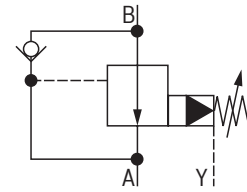
- ▶ For valve types for use in potentially explosive areas, refer to data sheet 07011.
- ▶ Preferred types and standard units are contained in the EPS (standard price list).

Symbols

Without check valve "M"



With check valve "no code"



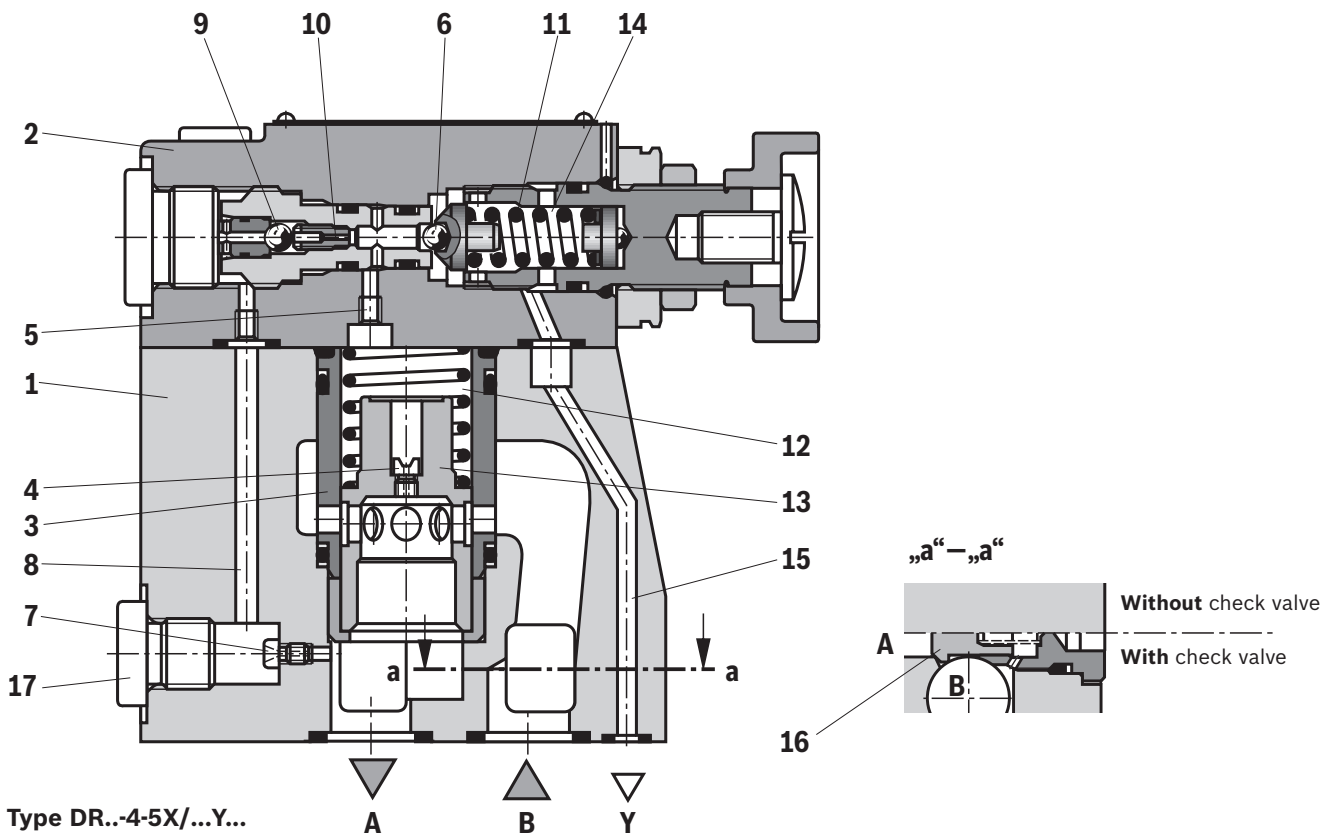
Function, section

Pressure valves of type DR are pilot-operated pressure reducing valves controlled from the secondary circuit. The pressure reducing valves basically consist of the main valve (1) with main spool insert (3) and pilot control valve (2) with adjustment type.

In the rest position the valves are open. Hydraulic fluid flows from channel B via the main spool insert (3) to channel A without restrictions. The pressure applied to channel A acts on the lower main spool side. At the same time, pressure is applied to the spring-loaded side of the main spool (3) via the nozzle (4) and to the ball (6) in the pilot control valve (2) via the channel (5). It also acts via the nozzle (7), control line (8), check valve (9) and nozzle (10) on the ball (6). Depending on the setting of the spring (11), a pressure builds up in front of the ball (6), in

the channel (5) and in the spring chamber (12) holding the control spool (13) in the opened position. The hydraulic fluid in channel B can flow via the main spool insert (3) to channel A without restrictions until a pressure builds up in channel A which exceeds the value set at the spring (11) and opens the ball (6). The control spool (13) moves into closing direction.

The desired reduced pressure is achieved when there is a state of equilibrium between the pressure in channel A and the pressure set at the spring (11). The pilot oil return from the spring chamber (14) is always realized externally via the control line (15) into the tank. For the free flow back from channel A to channel B, a check valve (16) can optionally be installed. A pressure gauge connection (17) allows for the control of the reduced pressure in channel A.



Technical data

(For applications outside the stated values, please ask us!)

general								
Size				10	16	25 (version "20")	25 (version "25")	32
Weight	Subplate mounting	▶ Version "DR . -"	kg	3.4	-	5.3	-	8.0
	Cartridge valve	▶ Version "DRC"	kg	1.2				
		▶ Version "DRC30"	kg	1.5				
	Threaded connection	▶ Version "DR ." G"	kg	5.3	5.2	5.1	5.0	4.8
Installation position	any							
Ambient temperature range			°C	-30 ... +50 (NBR seals) -20 ... +50 (FKM seals)				

hydraulic								
Maximum operating pressure	▶ Port B		bar	350 ¹⁾				
Maximum inlet pressure	▶ Port B		bar	350 ¹⁾				
Maximum outlet pressure	▶ Connection ...		bar	350 ¹⁾				
Operating pressure range	▶ Port A		bar	10 ... 350 ¹⁾				
Maximum counter pressure	▶ Port Y		bar	350 ¹⁾				
Minimum set pressure	bar flow-dependent (see characteristic curves page 6)							
Maximum set pressure	bar 50; 100; 200; 315; 350 ¹⁾							
Maximum flow	▶ Subplate mounting		l/min	150	-	300	-	400
	▶ Threaded connection		l/min	150	300	300	400	400
Hydraulic fluid	see table page 5							
Hydraulic fluid temperature range			°C	-30 ... +80 (NBR seals) -20 ... +80 (FKM seals)				
Viscosity range			mm ² /s	10 ... 800				
Maximum admissible degree of contamination of the hydraulic fluid, cleanliness class according to ISO 4406 (c)	Class 20/18/15 ²⁾							

1) Only version "M"

2) The cleanliness classes specified for the components must be adhered to in hydraulic systems. Effective filtration prevents faults and simultaneously increases the life cycle of the components.
For the selection of filters, see www.boschrexroth.com/filter.

Technical data

(For applications outside the stated values, please ask us!)

Hydraulic fluid	Classification	Suitable sealing materials	Standards	Data sheet
Mineral oils	HL, HLP, HLPD, HVLP, HVLPD	NBR, FKM	DIN 51524	90220
Bio-degradable	▶ Insoluble in water	HETG	ISO 15380	90221
		HEES		
	▶ Soluble in water	HEPG	ISO 15380	
Flame-resistant	▶ Water-free	HFDU (glycol base)	ISO 12922	90222
		HFDU (ester base)		
		HFDR		
	▶ Containing water	HFC (Fuchs: Hydrotherm 46M, Fuchs Renosafe 500; Petrofer: Ultra Safe 620; Houghton: Safe 620; Union: Carbide HP5046)	ISO 12922	90223



Important information on hydraulic fluids:

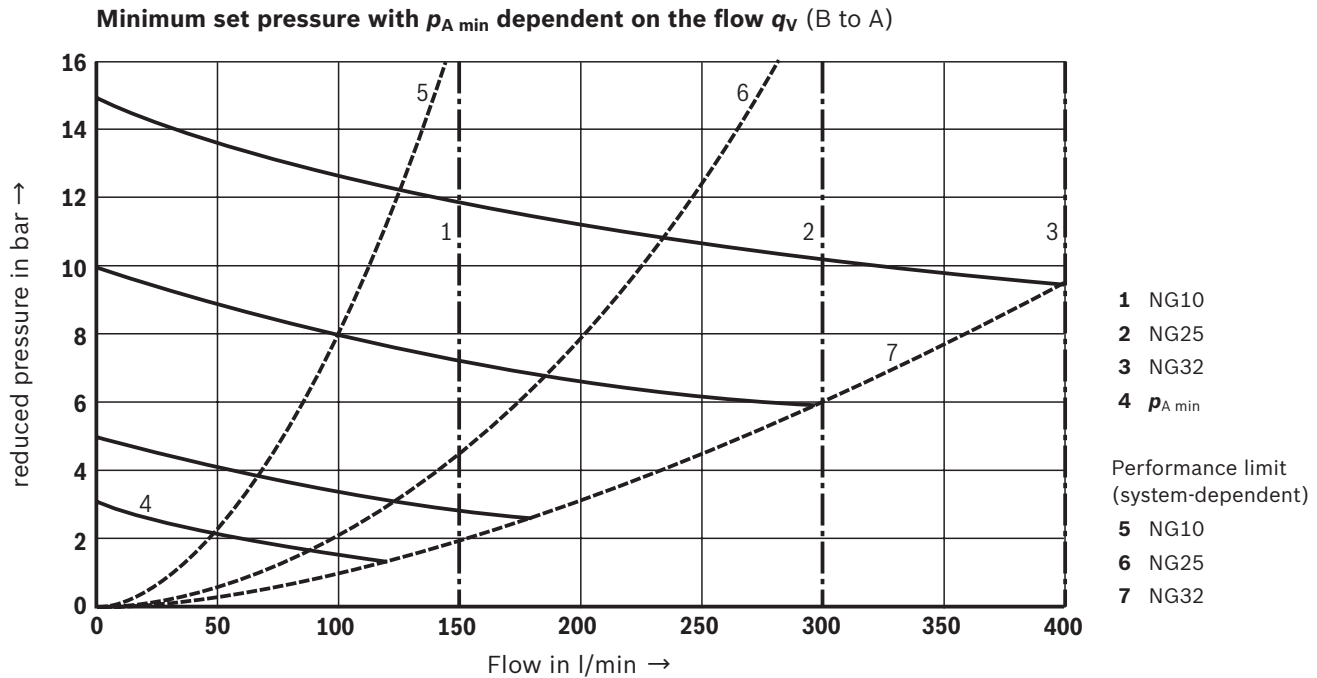
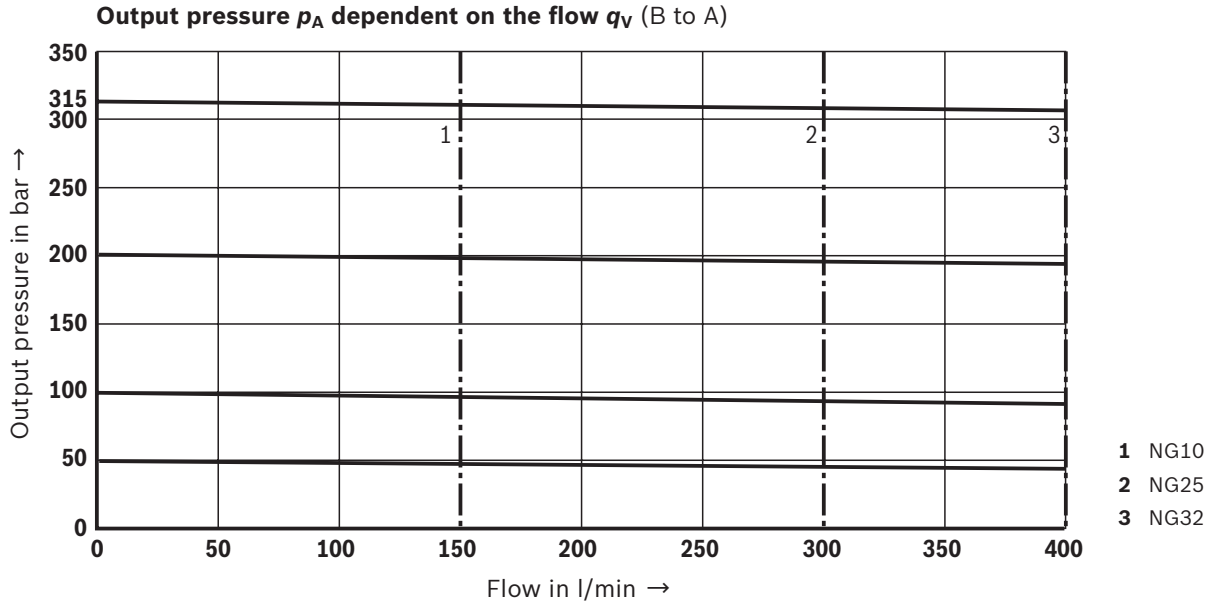
- ▶ For further information and data on the use of other hydraulic fluids, please refer to the data sheets above or contact us.
- ▶ There may be limitations regarding the technical valve data (temperature, pressure range, life cycle, maintenance intervals, etc.).
- ▶ The ignition temperature of the hydraulic fluid used must be 50 K higher than the maximum surface temperature.
- ▶ **Bio-degradable and flame-resistant – containing water:** If components with galvanic zinc coating (e.g. version "J3" or "J5") or parts containing zinc are used, small amounts of dissolved zinc may get into the hydraulic system and cause accelerated aging of the hydraulic fluid. Zinc soap may form as a chemical reaction product, which may clog filters, nozzles and solenoid valves - particularly in connection with local heat input.

▶ Flame-resistant – containing water:

Due to increased cavitation tendency with HFC hydraulic fluids, the life cycle of the component may be reduced by up to 30% as compared to the use with mineral oil HLP. In order to reduce the cavitation effect, it is recommended - if possible specific to the installation - to back up the return flow pressure in ports T to approx. 20% of the pressure differential at the component.

Characteristic curves

(measured with HLP46, $\vartheta_{oil} = 40 \pm 5 \text{ }^\circ\text{C}$)



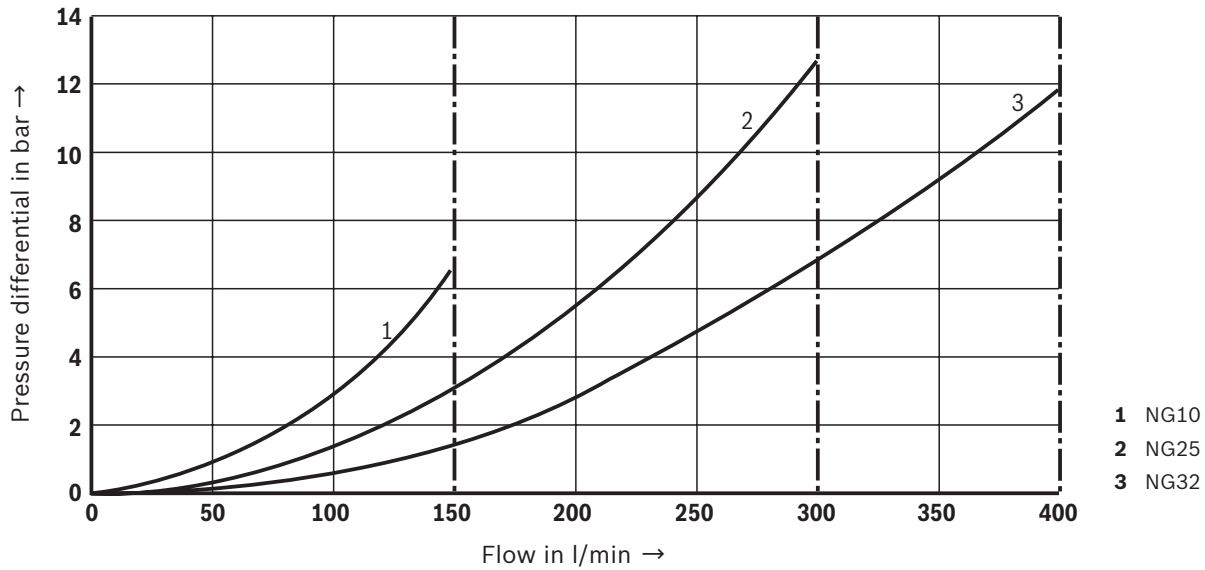
Notes:

- ▶ The characteristic curves apply to the pressure at the valve output $p = 0$ bar across the entire flow range.
- ▶ Valve body and hydraulic fluid temperature-compensated; large temperature differences may lead to differing values.

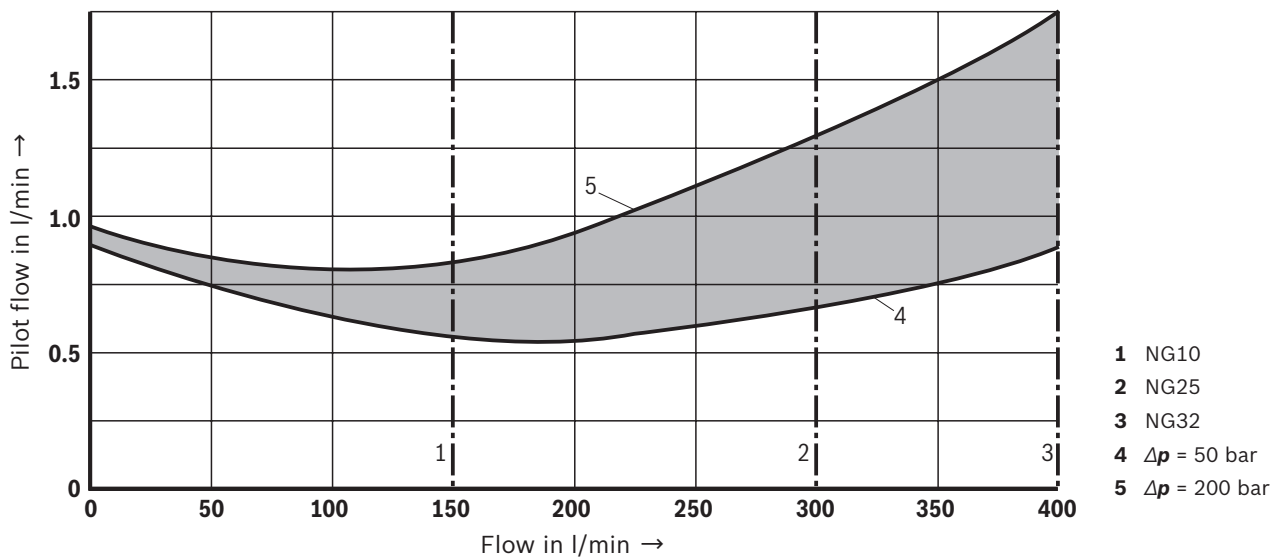
Characteristic curves

(measured with HLP46, $\vartheta_{oil} = 40 \pm 5^\circ\text{C}$)

Δp - q_V characteristic curve (B to A; lowest adjustable pressure differential)



Pilot flow dependent on the flow (B to A) and pressure differential

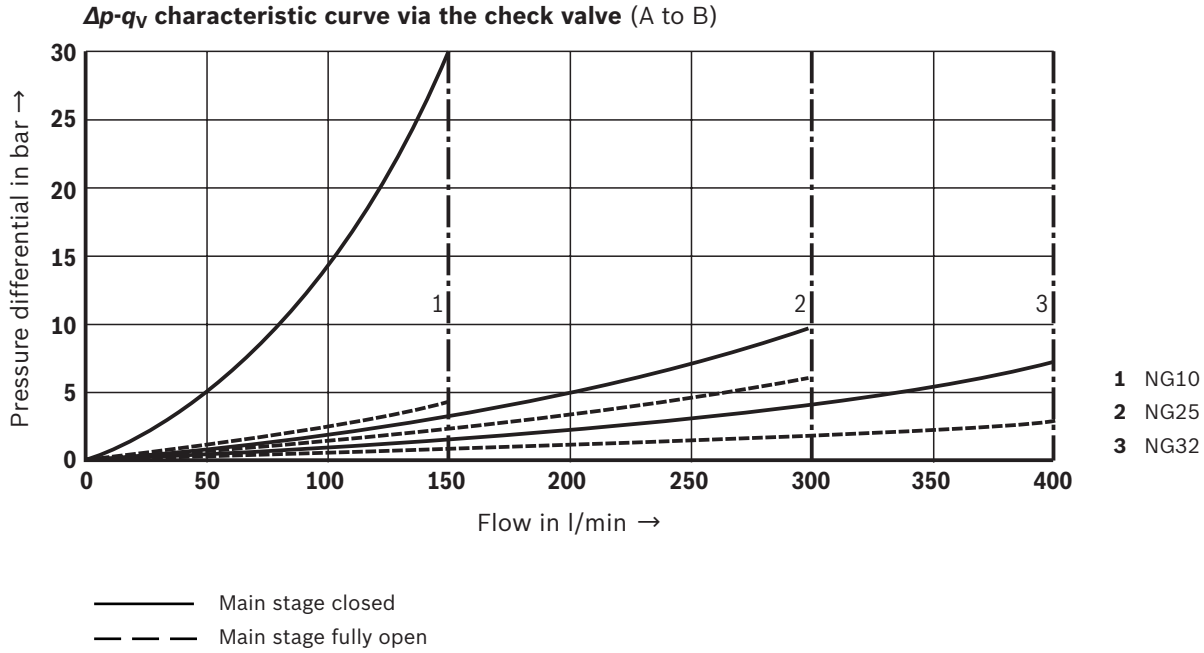


Notes:

- ▶ The characteristic curves apply to the pressure at the valve output $p = 0$ bar across the entire flow range.
- ▶ Valve body and hydraulic fluid temperature-compensated; large temperature differences may lead to differing values.

Characteristic curves

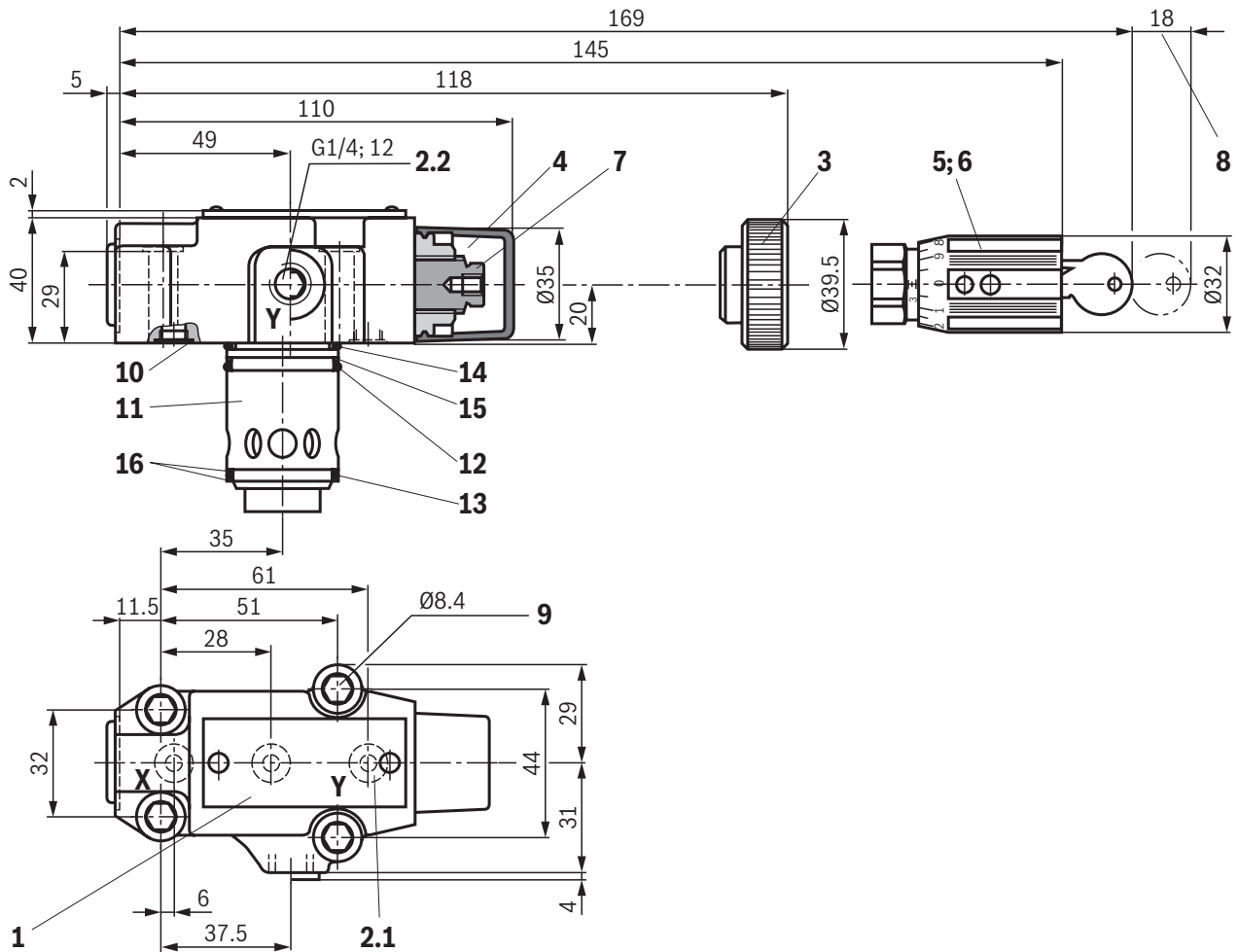
(measured with HLP46, $\vartheta_{oil} = 40 \pm 5^\circ\text{C}$)



Notes:

- ▶ The characteristic curves apply to the pressure at the valve output $p = 0$ bar across the entire flow range.
- ▶ Valve body and hydraulic fluid temperature-compensated; large temperature differences may lead to differing values.

Dimensions: Cartridge valve
(dimensions in mm)



- 1 Name plate
- 2.1 Port Y for external pilot oil return
- 2.2 Port Y optional for external pilot oil return
- 3 Adjustment type "4"
- 4 Adjustment type "5"
- 5 Adjustment type "6"
- 6 Adjustment type "7"
- 7 Hexagon, wrench size 10
- 8 Space required to remove the key
- 9 Valve mounting bores
- 10 Seal rings
- 11 Main spool insert
- 12 Seal ring
- 13 Seal ring
- 14 Seal ring
- 15 Support ring
- 16 Support ring

Valve mounting screws (separate order)
4 hexagon socket head cap screws
ISO 4762 - M8 x 40 - 10.9-flzn/nc/480h/C
 friction coefficient $\mu_{\text{total}} = 0.09 \dots 0.14$,
 tightening torque $M_A = 31 \text{ Nm} \pm 10\%$,
 material no. **R913015798**

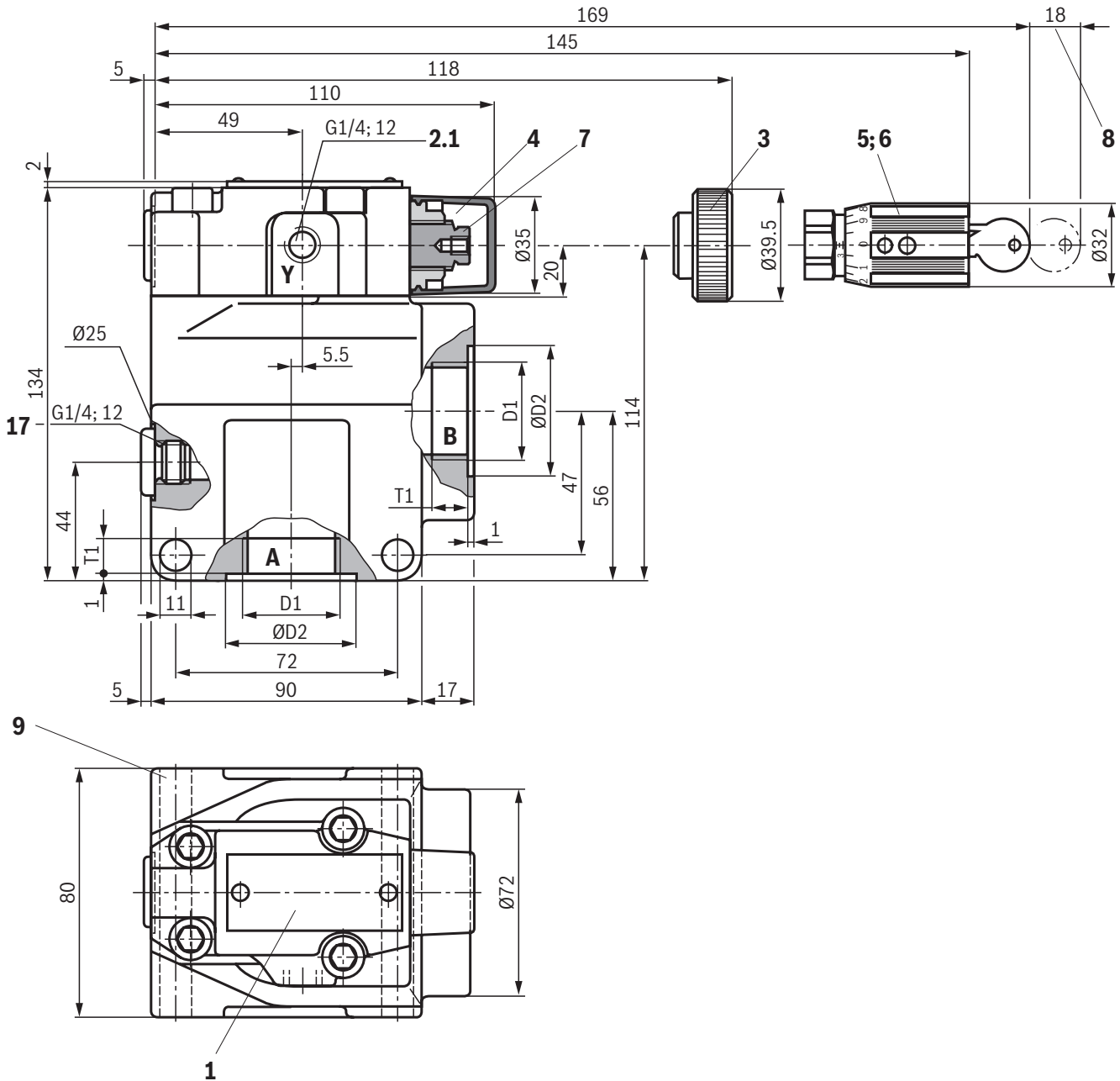
Installation bore see page 13.



Notice:

The dimensions are nominal dimensions which are subject to tolerances.

Dimensions: Threaded connection
(dimensions in mm)



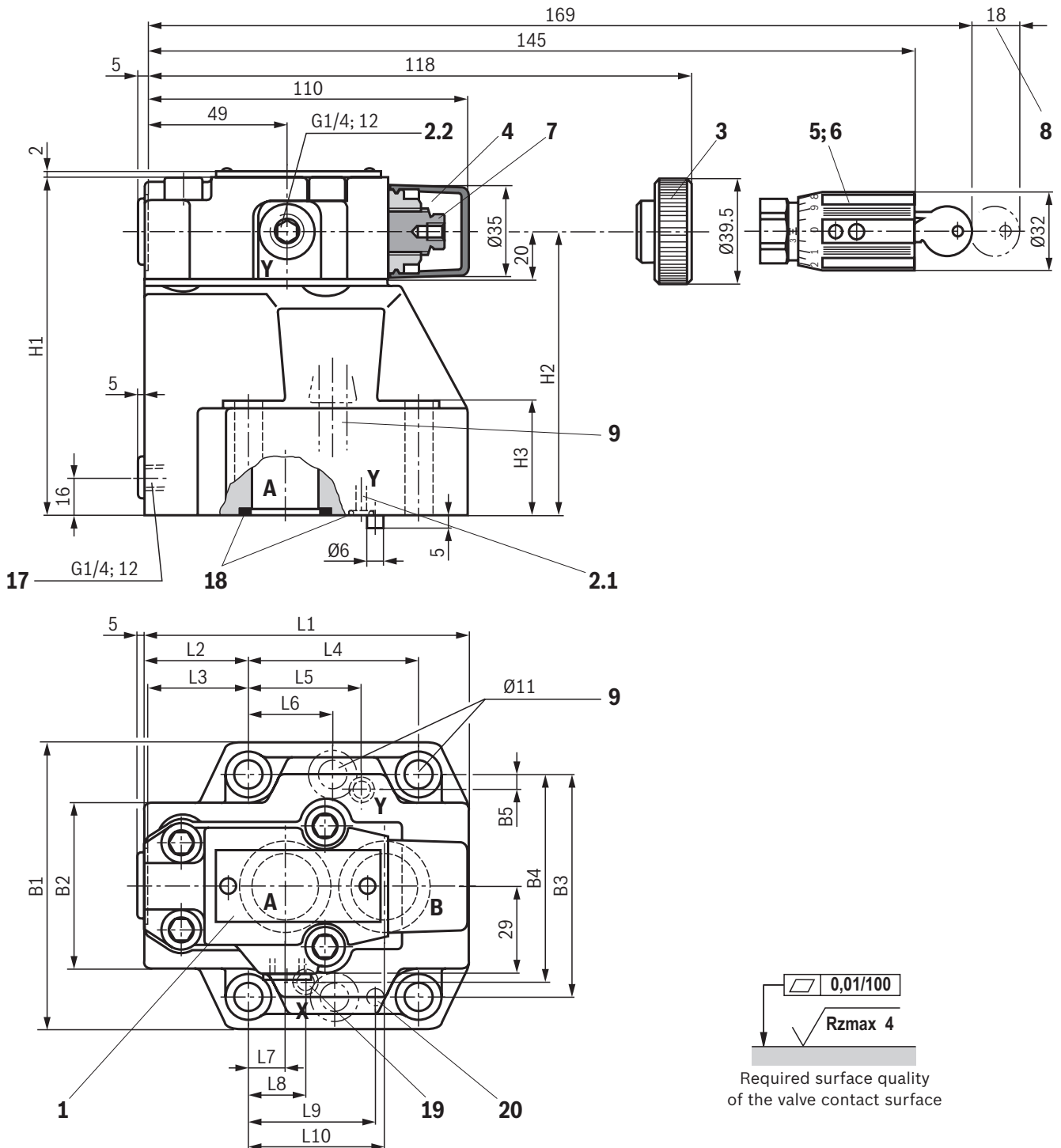
- 1 Name plate
- 2.1 Port Y for external pilot oil return
- 3 Adjustment type "4"
- 4 Adjustment type "5"
- 5 Adjustment type "6"
- 6 Adjustment type "7"
- 7 Hexagon, wrench size 10
- 8 Space required to remove the key
- 9 Valve mounting bores
- 17 Pressure gauge connection

NG	D1	ØD2	T1
10	G1/2	34	14
16 ("DR 15 G...")	G3/4	42	16
25 ("DR 20 G...")	G1	47	18
25 ("DR 25 G...")	G1 1/4	58	20
32 ("DR 30 G...")	G1 1/2	65	22

Notice:

The dimensions are nominal dimensions which are subject to tolerances.

Dimensions: Subplate mounting
(dimensions in mm)



NG	B1	B2	B3	B4	B5	H1	H2	H3	L1	L2	L3	L4	L5	L6	L7	L8	L9	L10
10	85	50	66.7	58.8	7.9	112	92	28	96	35.5	33	42.9	21.5	-	7.2	21.5	31.8	35.8
25	102	59.5	79.4	73	6.4	122	102	38	116	37.5	35.4	60.3	39.7	-	11.1	20.6	44.5	49.2
32	120	76	96.8	92.8	3.8	130	110	46	145	33	29.8	84.2	59.5	42.1	16.7	24.6	62.7	67.5

Item explanations, subplates and valve mounting screws see page 12.

Notice:
The dimensions are nominal dimensions which are subject to tolerances.

Dimensions: Subplate mounting "P"

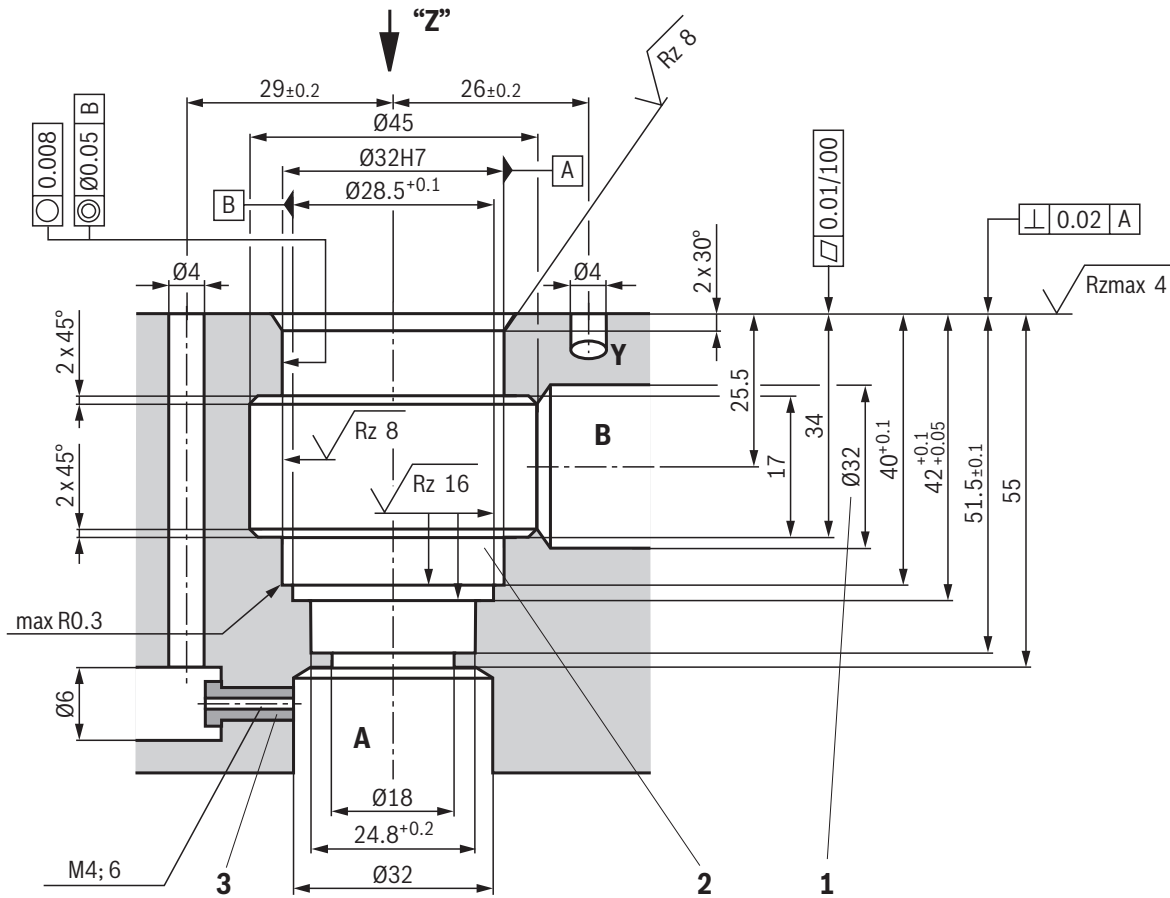
- | | |
|--|---|
| <ul style="list-style-type: none"> 1 Name plate 2.1 Port Y for external pilot oil return 2.2 Port Y optional for external pilot oil return 3 Adjustment type "4" 4 Adjustment type "5" 5 Adjustment type "6" 6 Adjustment type "7" 7 Hexagon, wrench size 10 | <ul style="list-style-type: none"> 8 Space required to remove the key 9 Valve mounting bore 17 Pressure gauge connection 18 Identical seal rings for ports A and B;
Identical seal rings for ports X and Y 19 Port X without function (blind bore) 20 Locking pin |
|--|---|

Valve mounting screws (separate order)

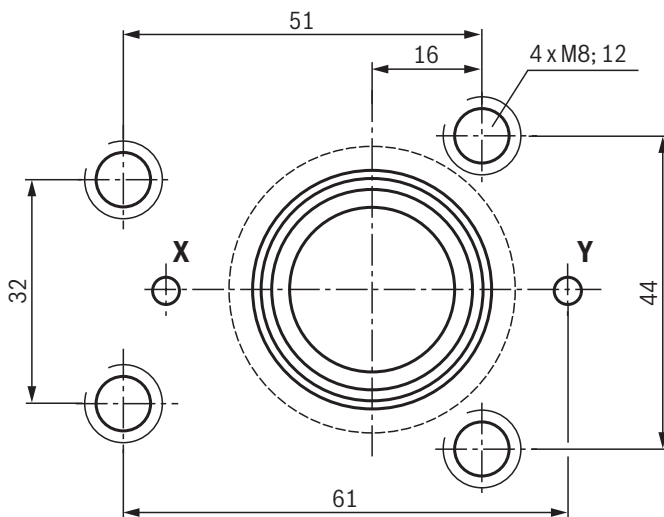
Size	Quantity	Hexagon socket head cap screws	Material number
10	4	ISO 4762 - M10 x 50 - 10.9-flzn/nc/480h/C friction coefficient $\mu_{\text{total}} = 0.09 \dots 0.14$; tightening torque $M_A = 60 \text{ Nm} \pm 10\%$	R913015580
25 "20"	4	ISO 4762 - M10 x 60 - 10.9-flzn/nc/480h/C friction coefficient $\mu_{\text{total}} = 0.09 \dots 0.14$; tightening torque $M_A = 60 \text{ Nm} \pm 10\%$	R913014770
32 "30"	6	ISO 4762 - M10 x 70 - 10.9-flzn/nc/480h/C friction coefficient $\mu_{\text{total}} = 0.09 \dots 0.14$; tightening torque $M_A = 60 \text{ Nm} \pm 10\%$	R913014772

Subplates (separate order) with porting pattern according to ISO 5781 see data sheet 45100.

Installation bore
(dimensions in mm)



View "Z"



- 1 **Notice:**
Bore Ø32 may intersect Ø45 at any point. However, it must be observed that the connection bore and the valve mounting bore are not damaged!
- 2 Support ring and seal rings are to be inserted before the assembly of the main spool into this bore
- 3 Nozzle, separate order

Accessories (separate order)

Denomination	Material number
Protective cap	R900135501

Further information

- ▶ Hydraulic valves for industrial applications
- ▶ Subplates
- ▶ Hydraulic fluids on mineral oil basis
- ▶ Environmentally compatible hydraulic fluids
- ▶ Flame-resistant, water-free hydraulic fluids
- ▶ Flame-resistant hydraulic fluids - containing water (HFAE, HFAS, HFB, HFC)
- ▶ Use of non-electrical hydraulic components in an explosive environment (ATEX)
- ▶ Selection of filters
- ▶ Information on available spare parts

Operating instructions 07600-B
 Data sheet 45100
 Data sheet 90220
 Data sheet 90221
 Data sheet 90222
 Data sheet 90223
 Data sheet 07011
www.boschrexroth.com/filter
www.boschrexroth.com/spc

Bosch Rexroth AG
 Industrial Hydraulics
 Zum Eisengießer 1
 97816 Lohr am Main, Germany
 Phone +49 (0) 93 52/ 40 30 20
my.support@boschrexroth.de
www.boschrexroth.de

© All rights reserved to Bosch Rexroth AG, also regarding any disposal, exploitation, reproduction, editing, distribution, as well as in the event of applications for industrial property rights.
 The data specified above only serve to describe the product. No statements concerning a certain condition or suitability for a certain application can be derived from our information. The information given does not release the user from the obligation of own judgment and verification.
 It must be remembered that our products are subject to a natural process of wear and aging.

Notes

Bosch Rexroth AG
Industrial Hydraulics
Zum Eisengießer 1
97816 Lohr am Main, Germany
Phone +49 (0) 93 52 / 40 30 20
my.support@boschrexroth.de
www.boschrexroth.de

© All rights reserved to Bosch Rexroth AG, also regarding any disposal, exploitation, reproduction, editing, distribution, as well as in the event of applications for industrial property rights.
The data specified above only serve to describe the product. No statements concerning a certain condition or suitability for a certain application can be derived from our information. The information given does not release the user from the obligation of own judgment and verification.
Please note that our products are subject to a natural process of wear and aging.

Notes

Bosch Rexroth AG
Industrial Hydraulics
Zum Eisengießer 1
97816 Lohr am Main, Germany
Phone +49 (0) 93 52/ 40 30 20
my.support@boschrexroth.de
www.boschrexroth.de

© All rights reserved to Bosch Rexroth AG, also regarding any disposal, exploitation, reproduction, editing, distribution, as well as in the event of applications for industrial property rights.
The data specified above only serve to describe the product. No statements concerning a certain condition or suitability for a certain application can be derived from our information. The information given does not release the user from the obligation of own judgment and verification.
It must be remembered that our products are subject to a natural process of wear and aging.