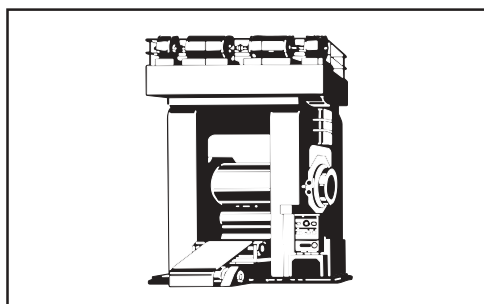
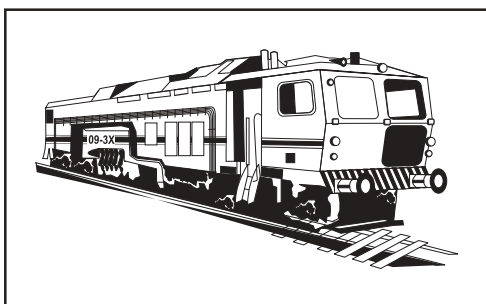
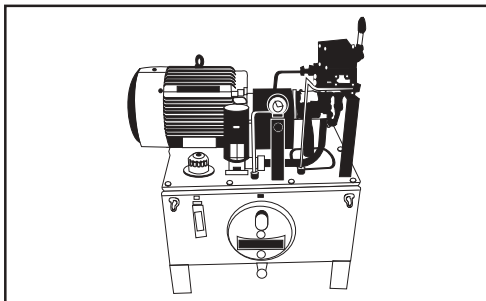
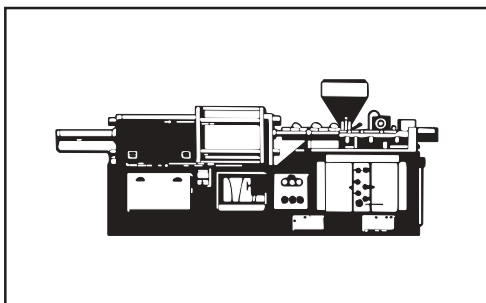


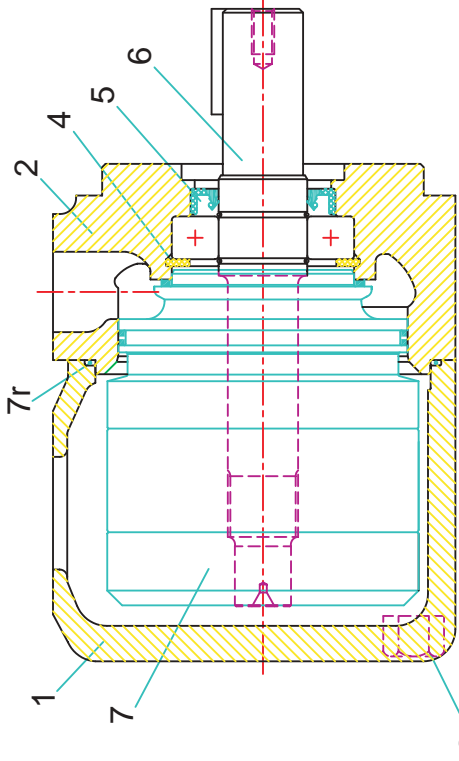


VT7D - VT7DS

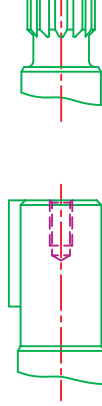
Single vane pump



Bold printed are recommended repair kits and assemblies



Mounting torque - 138 ft-lbs
(187 N-m)



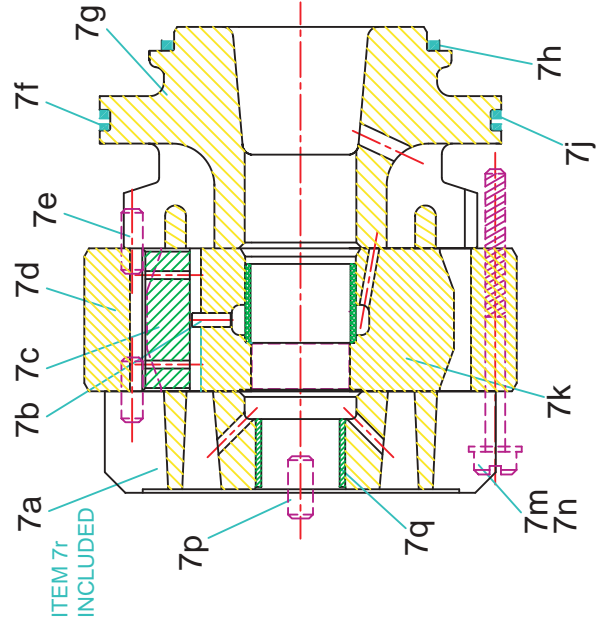
Shaft Code - 1

Shaft Code - 2

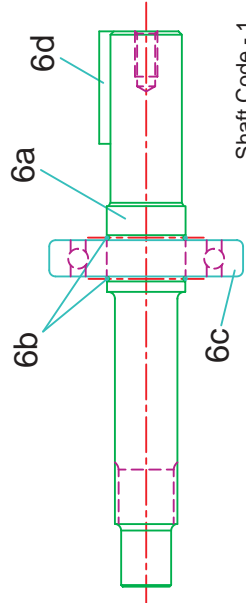
Shaft Code - 3

Shaft Code - 4

Shaft Code - 5



Item pos.	Description	Part No.	
		VT7D - VT7DS	Qty
1	Housing (UNC)	V034-47917	1
	Housing (Metric) (VT7D-VT7DS)	C-034-03052	
2	Mounting flange (METRIC) (VT7D)	H-034-67485	1
	Mounting flange (UNC)	V034-47916	
	Mounting flange (METRIC)	C-034-03053	
3	Mounting Screw	V306-40157	4
4	Retaining ring	V356-32283	1
5	Shaft seal (S1-0.7 bar)	V620-82062	1
	Shaft seal (S4-S5-7 bar)	V620-82066	



Shaft Code - 1

6	Shaft and bearing assy (Code-1)	VS14-20084	1
	Shaft and bearing assy (Code-2)	VS14-25646	
	Shaft and bearing assy (Code-3)	VS14-20085	
	Shaft and bearing assy (Code-4)	VS14-40835	
	Shaft and bearing assy (Code-5) (VT7D - VT7DS)	VS24-45064	
6a	Shaft (Keyed) (Code-1)	V034-70858	1
	Shaft (Keyed) (Code-2)	V034-70980	
	Shaft (Splined) (Code-3)	V034-70859	
	Shaft (Splined) (Code-4)	V034-70923	
	Shaft (Keyed) (Code-5) (VT7D-VT7DS)	H-034-66814	
6b	Round section ring	V034-70853	2
6c	Ball bearing	V230-00207	1
6d	Key (Code -1)	V034-46754	1
	Key (Code -2)	V034-49676	
	Key (Code -5)	H-034-30168	

Item pos.	Description	Part No.	
		VT7D - VT7DS	Qty
7	Cartridge assembly B14 C.C.W.	VS24-76312	1
	Cartridge assembly B14 C.C.W.	VS24-76313	
	Cartridge assembly B17 C.W.	VS24-76314	
	Cartridge assembly B17 C.C.W.	VS24-76315	
	Cartridge assembly B20 C.W.	VS24-76316	
	Cartridge assembly B20 C.C.W.	VS24-76317	
	Cartridge assembly B22 C.W.	VS24-76318	
	Cartridge assembly B22 C.C.W.	VS24-76319	
	Cartridge assembly B24 C.W.	VS24-76320	
	Cartridge assembly B24 C.C.W.	VS24-76321	
	Cartridge assembly B28 C.W.	VS24-76322	
	Cartridge assembly B28 C.C.W.	VS24-76323	
	Cartridge assembly B31 C.W.	VS24-76324	
	Cartridge assembly B31 C.C.W.	VS24-76325	
	Cartridge assembly B35 C.W.	VS24-76326	
	Cartridge assembly B35 C.C.W.	VS24-76327	
	Cartridge assembly B38 C.W.	VS24-76328	
	Cartridge assembly B38 C.C.W.	VS24-76329	
	Cartridge assembly B42 C.W.	VS24-76330	
	Cartridge assembly B42 C.C.W.	VS24-76331	
	Cartridge assembly 045 C.W.	VS24-10847	
	Cartridge assembly 045 C.C.W.	VS24-10848	
	Cartridge assembly 050 C.W.	VS24-40028	
	Cartridge assembly 050 C.C.W.	VS24-40029	
7a	Port plate - rear (Except cam rings 045-050)	H-034-67478	1
	Port plate - rear C.W (Only cam rings 045-050)	V034-59810	
	Port plate - rear C.C.W (Only cam rings 045-050)	V034-59811	
7b	Pin vane holdout (Except cam rings 045-050)	V034-59098	12
	Pin vane holdout (Only cam rings 045-050)	V034-59130	10
7c	Vane (Except cam rings 045-050)	H-034-67453	12
	Vane (Only cam rings 045-050)	V034-53588	10
7d	Cam ring - B14	H-034-67469	1
	Cam ring - B17	H-034-67470	
	Cam ring - B20	H-034-67159	
	Cam ring - B22	H-034-67482	
	Cam ring - B24	H-034-67158	
	Cam ring - B28	H-034-67157	
	Cam ring - B31	H-034-67156	
	Cam ring - B35	H-034-67155	
	Cam ring - B38	H-034-67154	

Item pos.	Description	Part No.	
		VT7D - VT7DS	Qty
	Cam ring - B42	H-034-67153	
	Cam ring - 045	V034-59131	
	Cam ring - 050	V034-66737	
7e	Dowel pin	V324-21612	2
7f	Back-up ring	V618-15017	1
7g	Port plate - pressure (Except cam rings 045-050)	H-034-67479	1
	Port plate - pressure C.W (Only cam rings 045-050)	V034-59808	
	Port plate - pressure C.C.W (Only cam rings 045-050)	V034-59809	
7h	Sq. section seal	V691-10232	1
7i	Sq. section seal	V691-10244	1
7k	Rotor-insert ass'y (Except cam rings 045-050)	H-S24-73783	1
	Rotor-insert ass'y (Only cam rings 045-050)	VS24-10121	
7m	Screw	V317-10320	2
7n	Lockwasher internal tooth	V348-10010	2
7p	Dowel pin	V323-82004	1
7q	Bush	V034-70868	1
7r	Sq. section seal	V671-10159	1
5,7f	Seal kit (S1 - 0,7 bar)	VS24-10138	1
7j,7h	Seal kit (S4 - 7 bar)	VS24-10138-4	
7r	Seal kit (S5 - 7 bar)	VS24-10138-5	
7a,7p	Port plate - rear and bush assy (Except cam rings 045-050)	VS24-76332	1
7q	Port plate - rear and bush assy C.W (Only cam rings 045-050)	VS24-10829	
	Port plate - rear and bush assy C.C.W (Only cam rings 045-050)	VS24-10830	

MODEL CODE

VT7D / VT7DS - B42 - 1 - R 00 - A 1 M0 -

Series

VT7D – series-125 A2 HW
 ISO 2 bolts 3019-2 mounting flange
 VT7DS – series- SAE C 2 bolts
 Mounting flange J744c

Modifications

Mounting w/connection variables
 4 bolts SAE flange J518c

P = 1"1/4	S = 2"
UNCMETRIC	
VT7D	M0
VT7DS	M0 Y0 ¹⁾

1) 250 bar max. int.

Cam ring — Displacement — Cam ring — Displacement

	in ³ /rev (cm ³ / rev)	in ³ /rev (cm ³ /rev)	Displacement (cm ³ /rev)
B14 =	2.68 (43.9)	B31 =	6.05 (99.1)
B17 =	3.36 (55.0)	B35 =	6.92 (113.4)
B20 =	4.03 (66.0)	B38 =	7.36 (120.6)
B22 =	4.29 (70.3)	B42 =	8.39 (137.5)
B24 =	4.95 (81.3)	045 =	8.89 (145.7)
B28 =	5.49 (89.9)	050 =	9.64 (157.9)

Type of shaft

VT7DS

- 1 = Keyed (SAE- C)
- 2 = Keyed (no SAE)
- 3 = Splined (SAE- C)
- 4 = Splined (no SAE)

VT7DS-VT7D

- 5 - keyed (ISO 3019-2-G32M)

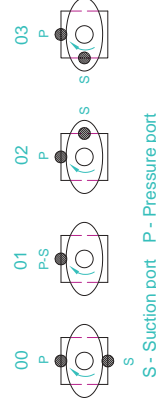
Seal class

- 1 = S1 - BUNA N
- 4 = S4 - EPDM
- 5 = S5 - VITON

Design letter

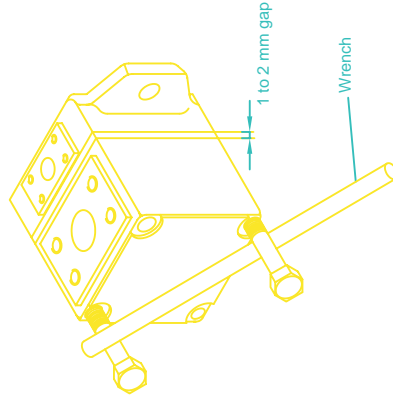
Porting combination

00 - standard



Direction of rotation (view on shaft end)

- R - clockwise
- L - counter-clockwise



To change porting position, follow the steps below:

Secure pump and remove 4 bolts from housing . Move the housing 1 to 2 mm away from mounting flange. Insert Two bolt halfway to housing. Install a Wrench between the Two bolts and turn in the desired way,so that the required position of pressure port with respect to suction is obtained. Reinstall the bolts and tighten to corresponding torque.

Instruction : Do not remove housing completely from the mounting flange but only just 1 to 2 mm to avoid the cartridge pin to move out from the housing dowel pin hole. make sure no piece of paint enters in to the gap to avoid leakage.

If it is difficult to turn housing put some hydraulic oil to the pressure port to lubricate the pressure port seals.

Veijan Hydrair Limited , Balanagar , Hyderabad - 500 037 , INDIA . Phone : ++91 40 23772794,95 FAX : ++91 40 23773963 , E-mail : info@veijan.com

Rights of alteration reserved

Print	---
Replace	---
Revision	---

Printed in India